



KONRAD

one step further.



HIGHLANDER

The powerful
universal machine



HIGHLANDER

The HIGHLANDER wheel harvester was specially developed for steep terrain where others already have to work with a cable crane.

HIGHLANDER HL10-1

4 wheel machine

The powerful universal machine for processing work on the forest road, as well as thinning and skidding work in the field.

- Good climbing ability due to the all-wheel drive with switchable hydraulic differential lock and the large drive wheels
- Automatic level compensation ensures constant stability and swiveling power of the machine
- Extremely maneuverable thanks to the short wheel-base in combination with 2-wheel, 4-wheel and crab steering

KONRAD CLOUD

The data recorded by the digital measuring devices, instruments and sensors are processed by the in-house software. The following information can be called up in the KONRAD CLOUD:

- Production data
- Data provision
- Working time measurement
- Recording of operating conditions such as work, rigging, transfer, maintenance, etc.
- Fuel consumption
- Display of maintenance intervals
- Location of the machine

HIGHLANDER HL20-1

6 wheel machine

The 6-wheel machine HL20-1 is mainly used in forests with medium to thick wood.

- Maximum stability even on soft surfaces
- Balanced weight distribution and optimal ground pressure
- Unique off-road mobility thanks to telescopic extension feet, automatic level compensation and the boogie portal axle



To the HIGHLANDER video

In order to be able to present our products even better, there is now also a video: Simply scan the QR code and see for yourself.

www.forsttechnik.at/hl_en





**A quantum step in mobility and flexibility:
The HIGHLANDER sees itself as an extremely powerful wheel harvester for medium to big wood.**

The HIGHLANDER is characterized by its unique cross-country mobility and flexible application possibilities. In normal harvester terrain, it moves with maneuverability thanks to its special steering system. In steep and particularly impassable terrain, the machine achieves enormous cross-country mobility thanks to the synchronous walking and driving movement. On paved roads you can achieve very fast driving speeds with it. The HIGHLANDER offers the climbing ability of a tracked machine and the additional advantages of a wheel machine.

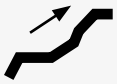




HIGHLANDER

6 Advantages

KONRAD HIGHLANDER wheel harvester



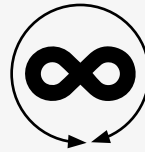
Enormous off-road mobility through synchronous stepping and driving movement



Extremely powerful, flexible machine



Integrated traction winch for driving support



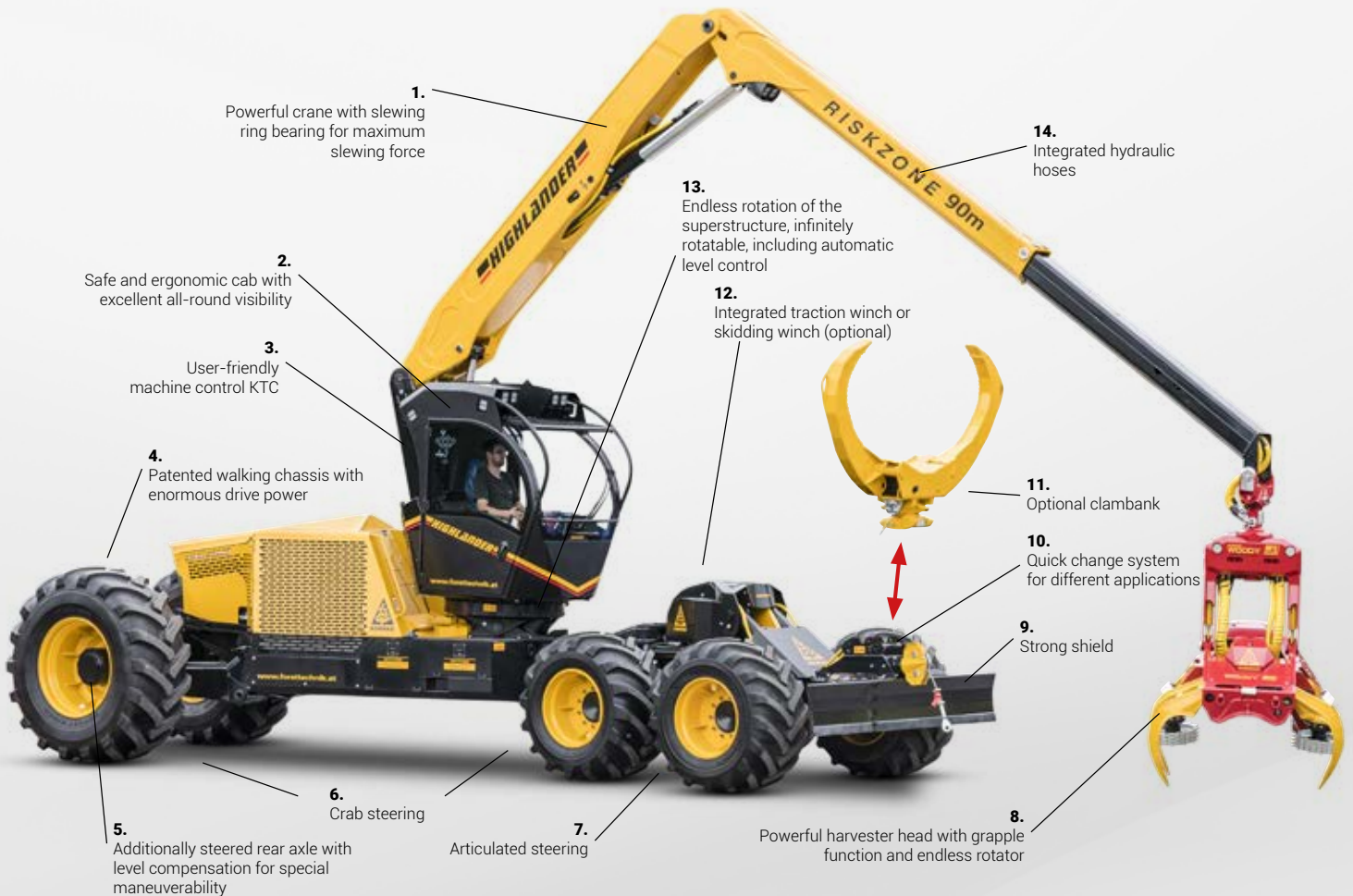
Endlessly rotating crane cabin unit



Safe and clear cabin with a clear view of the harvester head



Maximum maneuverability thanks to a special steering system



1. Powerful crane with slewing ring bearing for maximum slewing force

2. Safe and ergonomic cab with excellent all-round visibility

3. User-friendly machine control KTC

4. Patented walking chassis with enormous drive power

5. Additionally steered rear axle with level compensation for special maneuverability

6. Crab steering

7. Articulated steering

13. Endless rotation of the superstructure, infinitely rotatable, including automatic level control

12. Integrated traction winch or skidding winch (optional)

14. Integrated hydraulic hoses

11. Optional clambank

10. Quick change system for different applications

9. Strong shield

8. Powerful harvester head with grapple function and endless rotator

HIGHLANDER HL10-1

Compact unit with four steered and driven wheels

HIGHLANDER HL20-1

Articulated steering with an additional steered rear axle (low ground pressure when using the clambank)

Technical data that convince



Model-specific data

	HL10-1		HL20-1	
Weight	from 22 500 kg ¹⁾		from 25 500 kg ¹⁾	
Control system	KTC 1.0			
Harvester heads	WH50-1, WH60-1			
Undercarriage				
	Front axle	Rear axle	Front axle	Rear axle
Drive	4x4 hydrostatic single wheel drive via axial piston motor with gearbox		portal tandem axle with axial piston motor, 2-speed gearbox	single wheel drive, axial piston motor with gearbox
Braking system	Hydrostatic brake and multi-disc brake			
Steering type	Front-wheel, rear-wheel, all-wheel and crab steering			
Steering system	Rigid steering axle	Single wheel steering	Articulated steering	Single wheel steering
Steering angle	+27° / -27°			
Standard tires	710 / 70 R34		710 / 45 R26,5	710 / 70 R34
Tractive power	235 kN		272 kN	
Speed	18 km/h			
Track width	2240 mm			
Ground clearance	640 mm			

General data

Engine

	Stage III A (Tier 3)	Stage V
Engine type	Water-cooled FPT 6-cylinder turbo diesel engine	
Engine power (2200 rpm)	175 kW	212 kW
Torque (1500 rpm)	1020 Nm	1160 Nm
Displacement	6,7 l	
Diesel tank volume	340 l	

Crane system

Crane system	HL24
Lifting force	240 kNm
Tilt angle	+23,6° / -9,5°
Tilt angle including wheel rockers	+28,0° / -14,0°
Reach	10,8 m
Slewing torque	44 kNm
Slewing range	360° (endless)

Hydraulic system

Drive pumps	Axial piston pump, closed oil circuit, pmax 450 bar
Working pump	Axial piston pump, open oil circuit, pmax 350 bar
Power take-off pump	Axial piston pump, open oil circuit, pmax 350 bar
Hydraulic oil specification	HLVP 46 or optional bio oil
Filling amount of hydraulic oil tank	250 l

Options

Skidding winch RW90-1	max. 80 kN traction force (adjustable) cable ø 13mm / 120m
Traction winch TW90-1	max. 90 kN pulling force (adjustable) with cable ejector and winding arm, can be used as skidding winch, cable ø 14mm/300m.
Clambunk	with integrated quick-change system, adjustable swivel and pendulum brake, approx. 2m ² loading area.

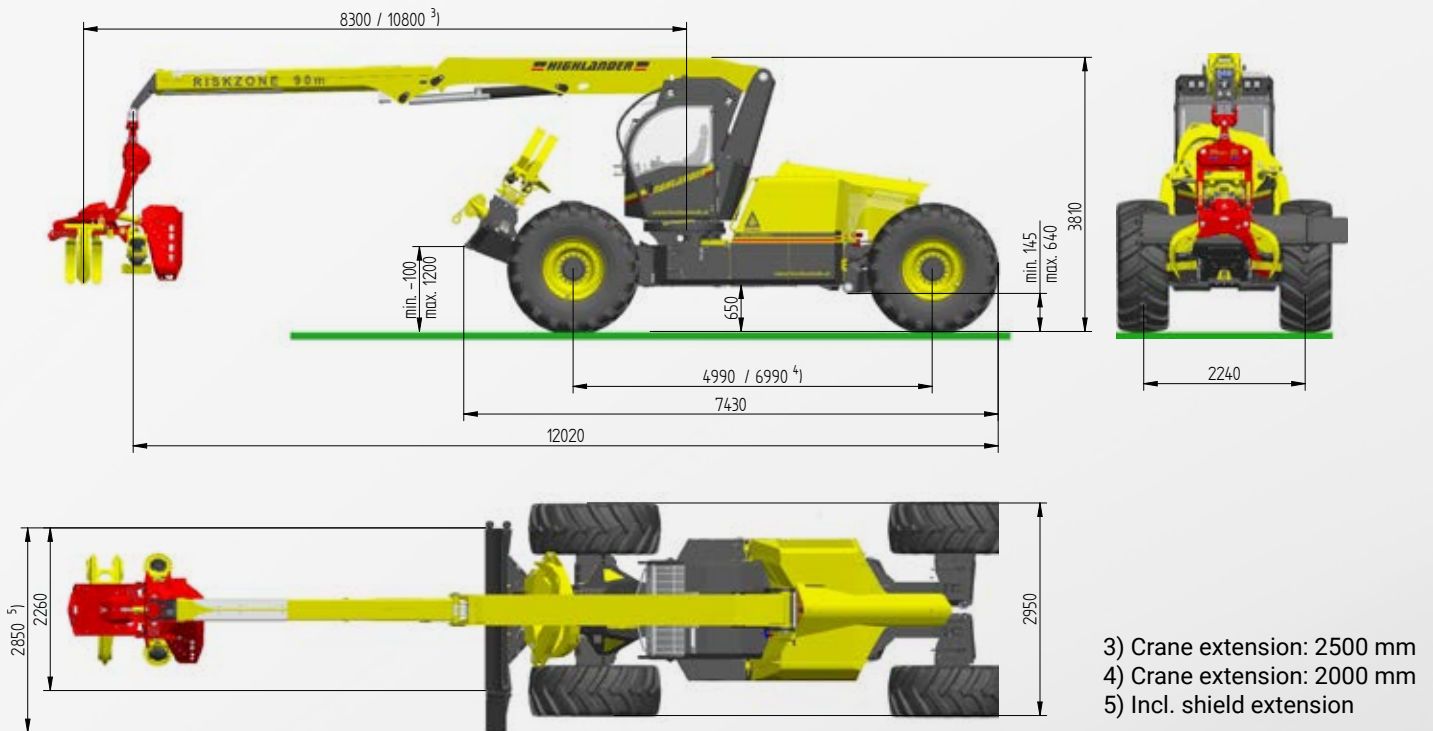
1) Basic device including harvester head without additional options.

2) Without chains

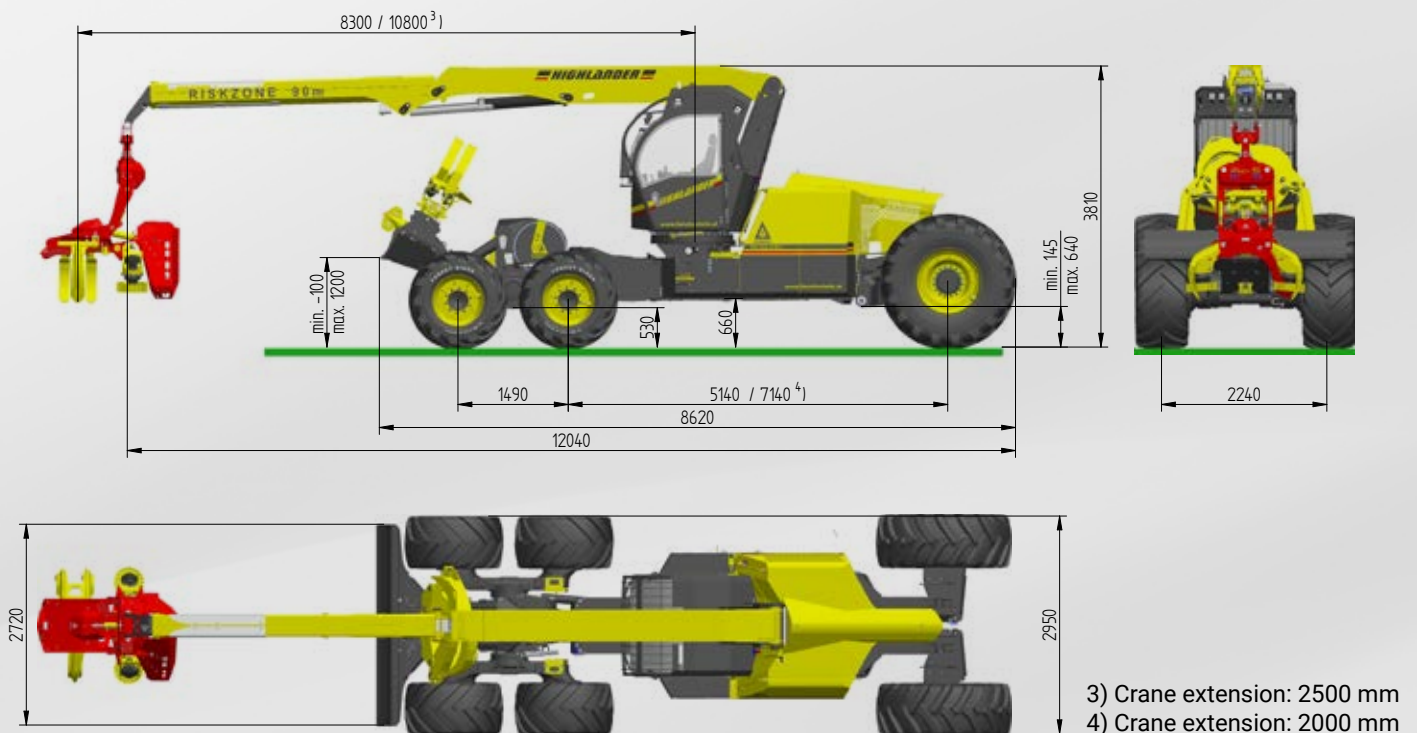
Special equipment: In addition to the standard equipment, a wide range of special equipment is available. For more information on standard and optional equipment, please contact your Konrad sales partner.

The manufacturer reserves the right to make technical changes and improvements.

Dimensions HL10-1



Dimensions HL20-1



KONRAD Forsttechnik GmbH
Oberpreitenegg 52, A-9451 Preitenegg

☎ +43 4354 2432-100
✉ office@forsttechnik.at
🌐 www.forsttechnik.at

