



KONRAD

one step further.



HIGHLANDER

The powerful
universal machine



HIGHLANDER

The HIGHLANDER wheel harvester was specially developed for steep terrain where others already have to work with a cable crane.

HIGHLANDER HL10-1

4 wheel machine

The powerful universal machine for processing work on the forest road, as well as thinning and skidding work in the field.

- Good climbing ability due to the all-wheel drive with switchable hydraulic differential lock and the large drive wheels
- Automatic level compensation ensures constant stability and swiveling power of the machine
- Extremely maneuverable thanks to the short wheel-base in combination with 2-wheel, 4-wheel and crab steering

KONRAD CLOUD

The data recorded by the digital measuring devices, instruments and sensors are processed by the in-house software. The following information can be called up in the KONRAD CLOUD:

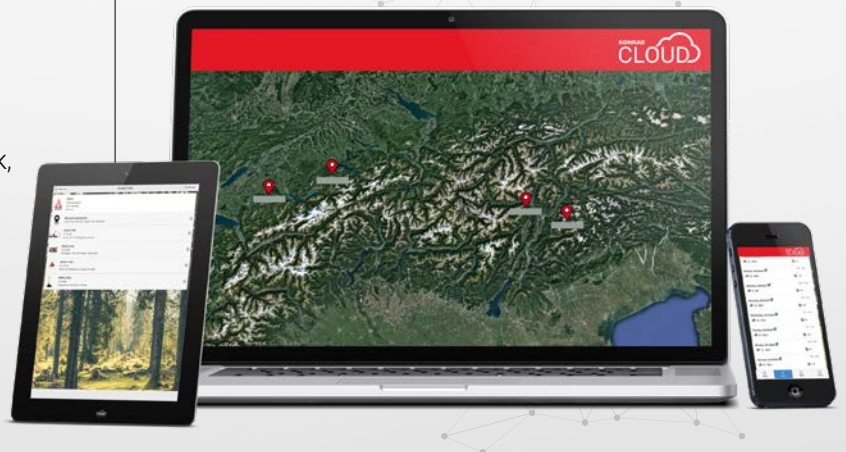
- Production data
- Data provision
- Working time measurement
- Recording of operating conditions such as work, rigging, transfer, maintenance, etc.
- Fuel consumption
- Display of maintenance intervals
- Location of the machine

HIGHLANDER HL20-1

6 wheel machine

The 6-wheel machine HL20-1 is mainly used in forests with medium to thick wood.

- Maximum stability even on soft surfaces
- Balanced weight distribution and optimal ground pressure
- Unique off-road mobility thanks to telescopic extension feet, automatic level compensation and the boogie portal axle

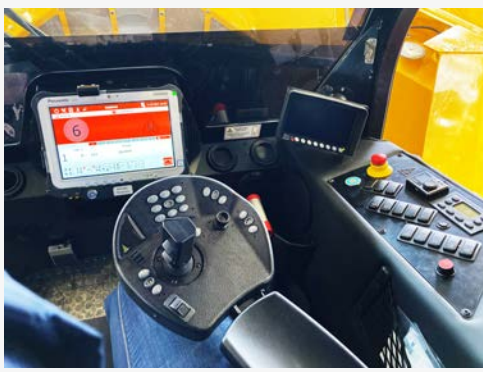


To the HIGHLANDER video

In order to be able to present our products even better, there is now also a video: Simply scan the QR code and see for yourself.

www.forsttechnik.at/hl_en





**A quantum step in mobility and flexibility:
The HIGHLANDER sees itself as an extremely powerful wheel harvester for medium to big wood.**

The HIGHLANDER is characterized by its unique cross-country mobility and flexible application possibilities. In normal harvester terrain, it moves with maneuverability thanks to its special steering system. In steep and particularly impassable terrain, the machine achieves enormous cross-country mobility thanks to the synchronous walking and driving movement. On paved roads you can achieve very fast driving speeds with it. The HIGHLANDER offers the climbing ability of a tracked machine and the additional advantages of a wheel machine.





HIGHLANDER

6 Advantages

KONRAD HIGHLANDER wheel harvester



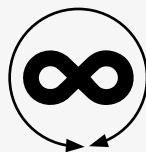
Enormous off-road mobility through synchronous stepping and driving movement



Extremely powerful, flexible machine



Integrated traction winch for driving support



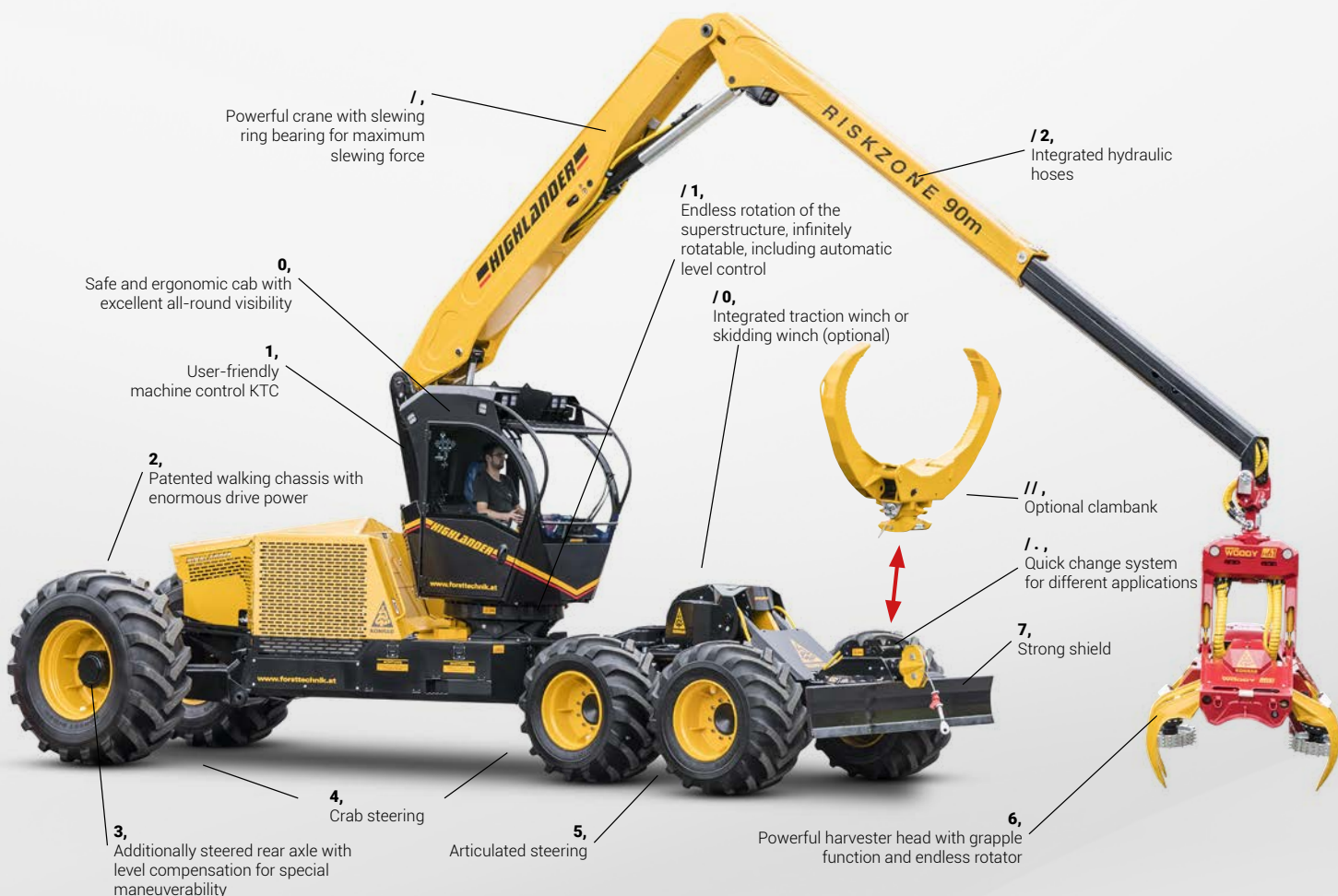
Endlessly rotating crane cabin unit



Safe and clear cabin with a clear view of the harvester head



Maximum maneuverability thanks to a special steering system



1, Powerful crane with slewing ring bearing for maximum slewing force

12, Integrated hydraulic hoses

0, Safe and ergonomic cab with excellent all-round visibility

11, Endless rotation of the superstructure, infinitely rotatable, including automatic level control

1, User-friendly machine control KTC

10, Integrated traction winch or skidding winch (optional)

2, Patented walking chassis with enormous drive power

11, Optional clambank

1, Quick change system for different applications

7, Strong shield

3, Additionally steered rear axle with level compensation for special maneuverability

4, Crab steering

5, Articulated steering

6, Powerful harvester head with grapple function and endless rotator

HIGHLANDER HL10-1

Compact unit with four steered and driven wheels

HIGHLANDER HL20-1

Articulated steering with an additional steered rear axle (low ground pressure when using the clambank)

Technical data that convince



Model-specific data

| | HL10-1 | | HL20-1 | |
|------------------|--|-----------------------|---|---|
| Weight | from 22 500 kg ¹⁾ | | from 25 500 kg ¹⁾ | |
| Control system | KTC 1.0 | | | |
| Harvester heads | WH50-1, WH60-1 | | | |
| Undercarriage | | | | |
| | Front axle | Rear axle | Front axle | Rear axle |
| Drive | 4x4 hydrostatic single wheel drive via axial piston motor with gearbox | | portal tandem axle with axial piston motor, 2-speed gearbox | single wheel drive, axial piston motor with gearbox |
| Braking system | Hydrostatic brake and multi-disc brake | | | |
| Steering type | Front-wheel, rear-wheel, all-wheel and crab steering | | | |
| Steering system | Rigid steering axle | Single wheel steering | Articulated steering | Single wheel steering |
| Steering angle | +27° / -27° | | | |
| Standard tires | 710 / 70 R34 | | 710 / 45 R26,5 | 710 / 70 R34 |
| Tractive power | 235 kN | | 272 kN | |
| Speed | 18 km/h | | | |
| Track width | 2240 mm | | | |
| Ground clearance | 640 mm | | | |

General data

Engine

| | Stage III A (Tier 3) | Stage V |
|-------------------------|---|---------|
| Engine type | Water-cooled FPT 6-cylinder turbo diesel engine | |
| Engine power (2200 rpm) | 175 kW | 212 kW |
| Torque (1500 rpm) | 1020 Nm | 1160 Nm |
| Displacement | 6,7 l | |
| Diesel tank volume | 340 l | |

Crane system

| | |
|------------------------------------|-----------------|
| Crane system | HL24 |
| Lifting force | 240 kNm |
| Tilt angle | +23,6° / -9,5° |
| Tilt angle including wheel rockers | +28,0° / -14,0° |
| Reach | 10,8 m |
| Slewing torque | 44 kNm |
| Slewing range | 360° (endless) |

Hydraulic system

| | |
|--------------------------------------|---|
| Drive pumps | Axial piston pump, closed oil circuit, pmax 450 bar |
| Working pump | Axial piston pump, open oil circuit, pmax 350 bar |
| Power take-off pump | Axial piston pump, open oil circuit, pmax 350 bar |
| Hydraulic oil specification | HLVP 46 or optional bio oil |
| Filling amount of hydraulic oil tank | 250 l |

Options

| | |
|-----------------------|---|
| Skidding winch RW90-1 | max. 80 kN traction force (adjustable) cable ø 13mm / 120m |
| Traction winch TW90-1 | max. 90 kN pulling force (adjustable) with cable ejector and winding arm, can be used as skidding winch, cable ø 14mm/300m. |
| Clambunk | with integrated quick-change system, adjustable swivel and pendulum brake, approx. 2m ² loading area. |

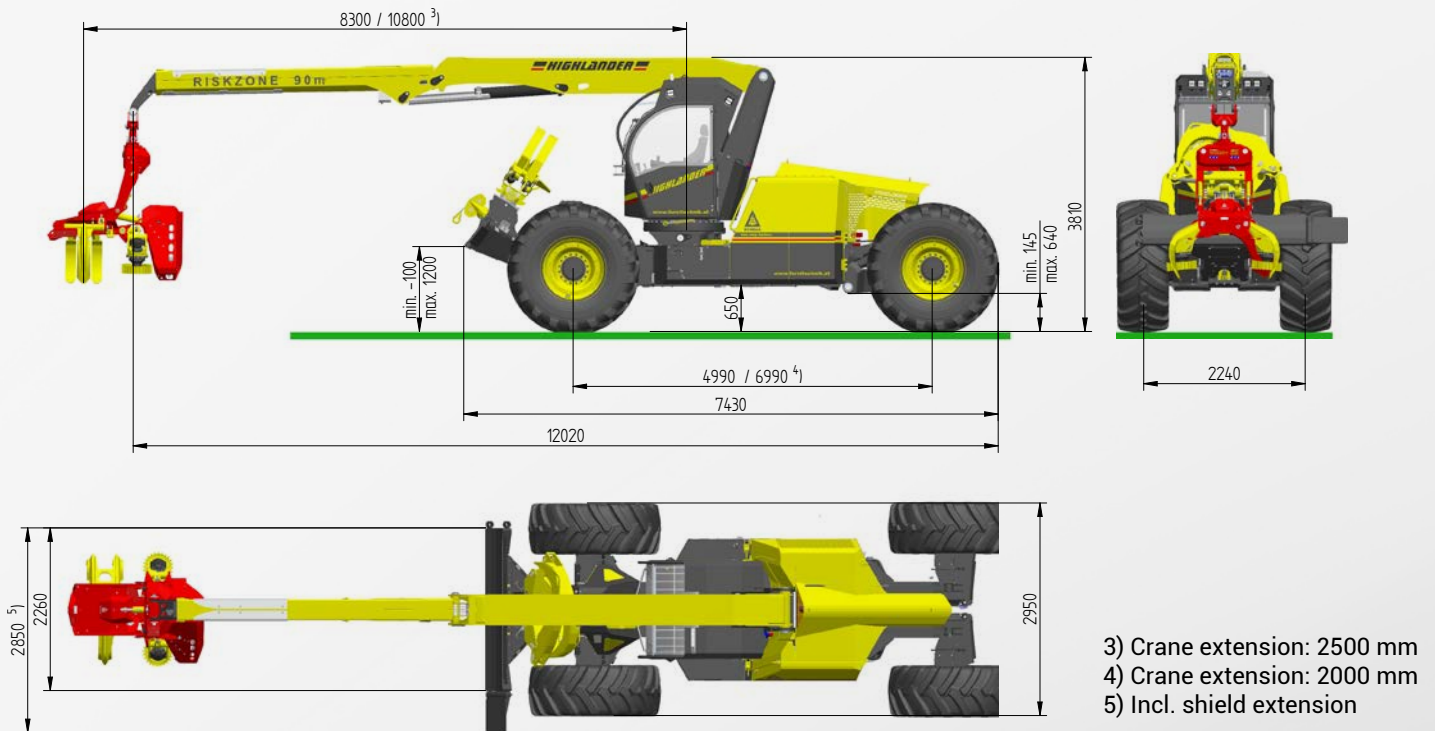
1) Basic device including harvester head without additional options.

2) Without chains

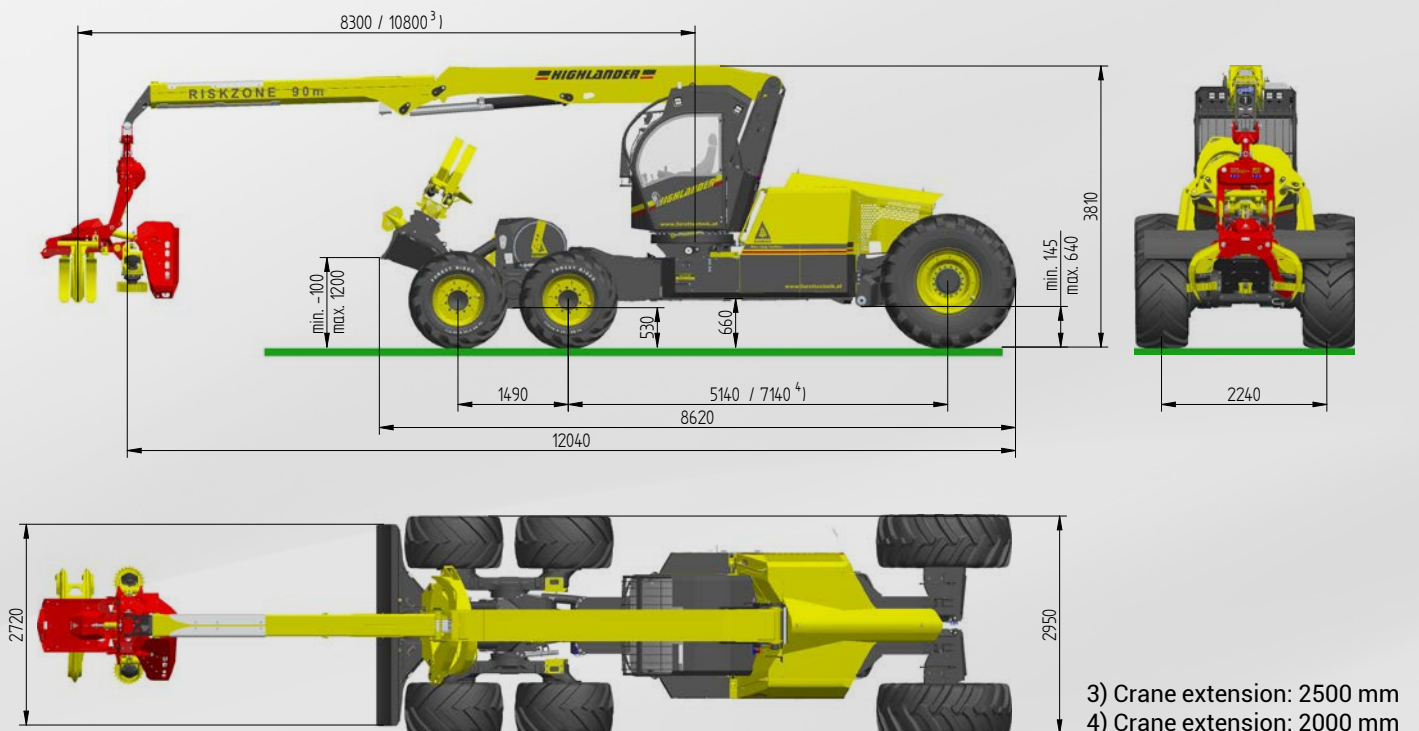
Special equipment: In addition to the standard equipment, a wide range of special equipment is available. For more information on standard and optional equipment, please contact your Konrad sales partner.

The manufacturer reserves the right to make technical changes and improvements.

Dimensions HL10-1



Dimensions HL20-1



KONRAD Forsttechnik GmbH
Oberpreitenegg 52, A-9451 Preitenegg

☎ +43 4354 2432-100
✉ office@forsttechnik.at
🌐 www.forsttechnik.at

